



Mounting Instructions

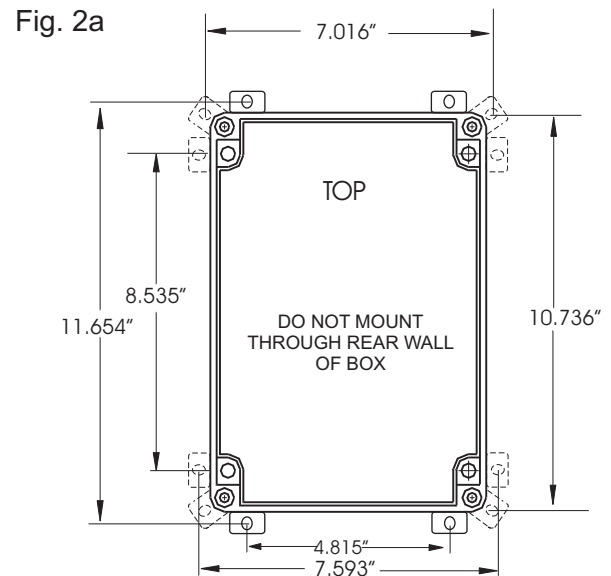
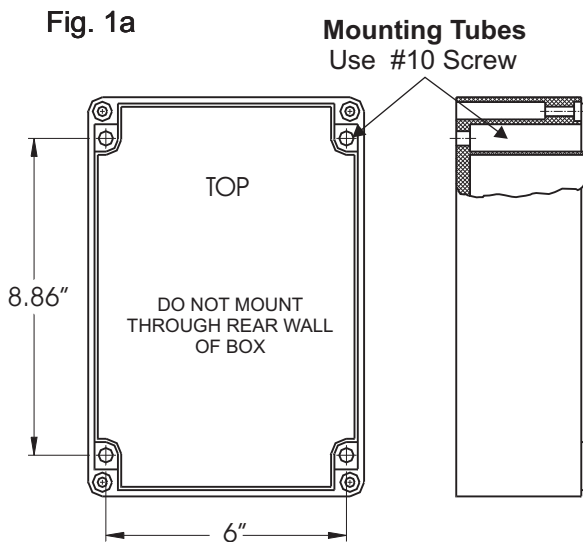
Direct Mount Using Mounting Tubes

OR

Mount with External Mounting Feet
(Kit Provided)

1. Position Box Upright using Top Label as Indicator.
2. Drop #10 Screw into each Mounting Tube. See Fig. 1a Below.
3. Mount Unit on Secure Flat Vertical Surface.
4. Reinstall Hinged Cover. See Below.

1. Turn Bottom Box Over to Expose Threaded Rivets.
2. Screw Mounting Feet into Corner Rivets, Position Mounting Feet as Required. See Fig. 2a Below.
3. Position Box Upright Using Top Label as Indicator.
4. Mount Unit to Flat Vertical Surface. (hardware not provided)
5. Reinstall Hinged Cover. See Below.



Hinged Cover Installation

1. Position Cover so "ON" is in Top Position.
2. Align Radius (Curved) Side of Both White Extension Pieces to Radius (Curved) side of Mounting Tubes.
3. Push Extension Pieces into Tube, Approx. 1". Extensions will Snap into Place
4. Handle Must be in "OFF" Position and Aligned to Switch. Tighten Cover Screws 25 lb.-in.